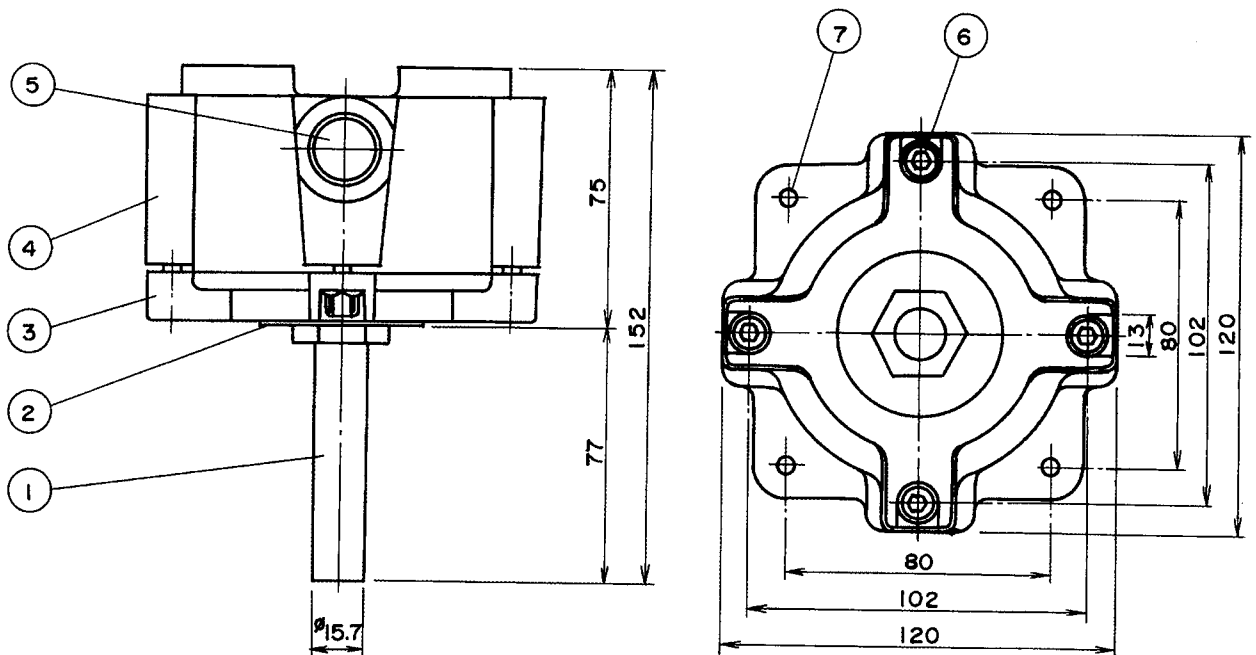
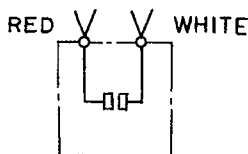


SPECIFICATIONS

- (A) CLASSIFICATION : FIXED TEMPERATURE DETECTOR, EXPLOSION - PROOF TYPE (d2G4) SENSITIVITY CLASS I
- (B) APPROVAL NO. OF MINISTRY OF LABOUR THE RESEARCH INSTITUTE OF INDUSTRIAL SAFETY JAPAN : NO.T38364
- (C) EXPLOSION-PROOF CONSTRUCTION, EXPLOSION CLASS, IGNITION DEGREE : d, 2, G4
- (D) CONTACT RATINGS : DC 30V, 100 mA
- (E) MATERIAL OF HEAT SENSING PART : STAINLESS STEEL SUS321
- (F) MATERIAL OF BOX AND COVER : CAST ALUMINIUM AC2A-F
- (G) LENGTH OF LEAD WIRE : APPROX. 200 mm
- (H) WEIGHT : APPROX. 950 g



READ WIRE



APPLY	TYPE	OPERATING TEMPERATURES	NATIONAL TYPE APPROVAL NO.	AMBIENT TEMPERATURE
	FDL120-E-60	60°C	KAN 62~10	-10°C ~ 40°C
	FDL120-E-70	70°C	KAN 62~11	-10°C ~ 50°C
	FDL120-E-80	80°C	KAN 62~12	-10°C ~ 60°C
	FDL120-E-90	90°C	KAN 62~2	-10°C ~ 70°C
	FDL120-E-100	100°C	KAN 62~3	-10°C ~ 80°C
	FDL120-E-120	120°C	KAN 62~4	-10°C ~ 100°C
	FDL120-E-150	150°C	KAN 62~5	-10°C ~ 130°C

GKFO4990

DESCRIPTION	
1	HEAT SENSING PART
2	NAME PLATE
3	COVER
4	BOX
5	3 - PF 1/2 FOR CONDUIT TUBE
6	4 - M6 COVER FIXING BOLTS
7	4 - #6 FIXING HOLES

TYPE FDL120-E
FIXED TEMP. HEAT DETECTOR
EXPLOSION - PROOF TYPE

UNIT : mm	DESIGNED BY	TRACED BY
SCALE : /		<i>Y. Kusaki</i>
DATE : SEP.30.'11	CHECKED BY	APPROVED BY
	<i>K. Takeyoshi</i>	<i>K. Takahashi</i>
DWG.NO. FDL 6635 E	NO.	

NOHMI BOSAI LTD.