

FIRU009-R-LCD

LCD-type Remote Annunciator

Features

- UL 864, 9th edition listed
- 40 letters x 4 lines LCD unit
- 11 status LEDs
- 6 system control switches
- Key lock switch to protect system control switch operation
- Built in buzzer
- Surface mounting or near flush mounting applicable
- White or Red color enclosure
- Three knockouts on the top, bottom and back of enclosure
- Easy installation



Description

The FIRU009-R-LCD is a LCD remote annunciator for the Integlex Multicrest™ N3060 Fire Alarm Control Panel. The FIRU009-R-LCD communicates, using a RS-485 connection, with the N3060 FACP and provides indications of Alarm, Supervisory, Trouble and other system statuses and system control functions.

The FIRU009-R-LCD is equipped with a 40 letters x 4 lines LCD display, 11 status LEDs, a built in buzzer, and 6 system control switches. The LCD and the LEDs work together to visually inform the operation of the system status. The status LEDs are labeled as Power On, Alarm, General Alarm, Supervisory, Acknowledge, Pre-Discharge, Discharge, Signal Silence, Trouble, Battery Trouble, and Ground Fault. The buzzer audibly attracts the operator's attention during status change occurrence. The system control switches are only operable when a key lock switch is set to the enable position. The functionality of these system control switches is equivalent to those of the N3060 FACP.

The RS-485 remote annunciator connection supports NFPA Class B (Style 4) wiring and the maximum length of 1.2 km (4000 ft). A maximum of 30 remote annunciators can be connected per N3060 FACP.

Each FIRU009-R-LCD shall have a remote annunciator number for its identification in a system. The remote annunciator number shall be set by rotary switches in FIRU009-R-LCD.

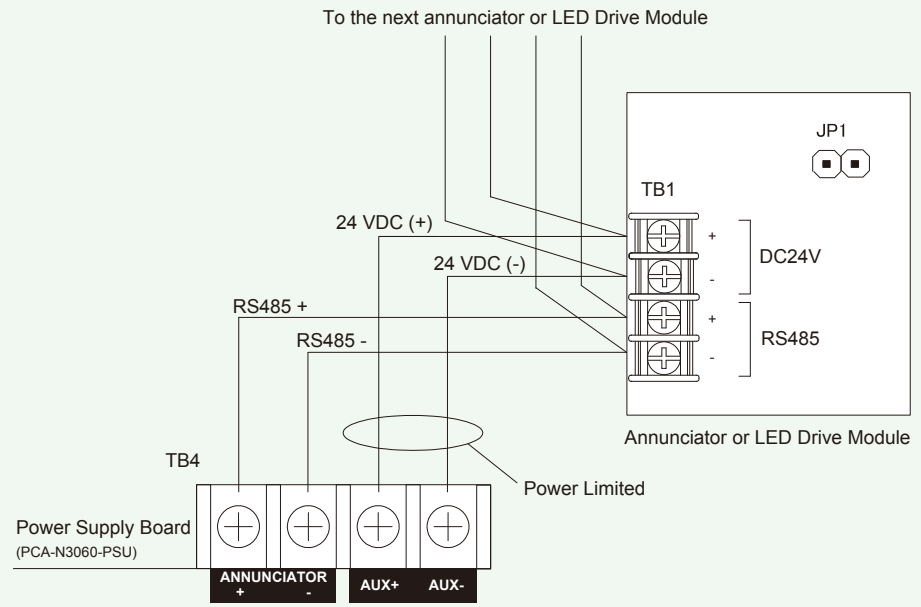
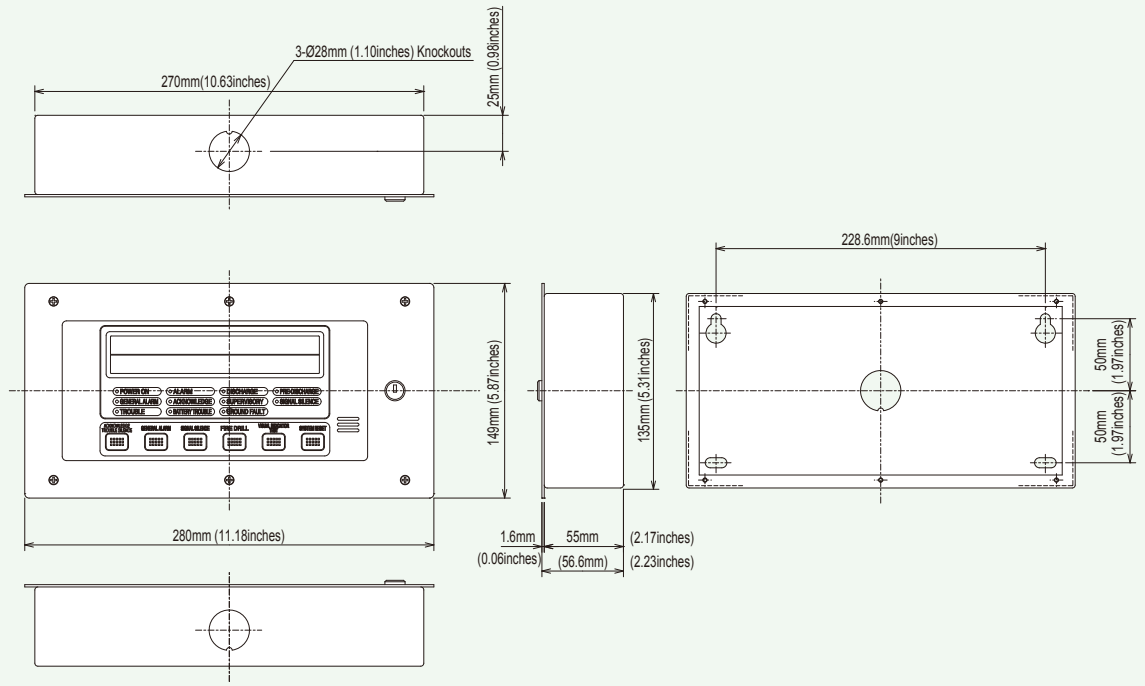
The FIRU009-R-LCD requires 24 VDC input power to operate. The 24 VDC input power can be provided from the N3060 FACP or a remote power supply. The internal power supply of FIRU009-R-LCD converts the 24 VDC input power to 5 and 3.3 volts for use of the internal circuitry.

Operating information

Part No. PCA-N3060-LCDAN: LCD with membrane
 Part No. ECL-N3060-LCDAN-NW or R: Enclosure for LCD-AN

Specifications

| No. | Item | Specification |
|-----|-------------------------------------|---|
| 1 | Maximum 24 VDC current | 100 mA |
| 2 | Ambient operating temperature range | 0 to 49 °C (32 to 120 °F) |
| 3 | Maximum RA bus length | 1.2 km (4000 ft) |
| 4 | Max. RA bus wiring resistance | 40 Ω |
| 5 | Max. RA bus wiring capacitance | 0.4 μF |
| 6 | Applicable baud rates of RA-Bus | 2400, 4800, and 9600 bps |
| 7 | Annunciator buss wiring style | NFPA Class B (Style 4) |
| 8 | Maximum annunciator | 30 units |
| 9 | Annunciator connection | RS-485 |
| 10 | Enclosure Rating | NEMA – 1 (indoor use only) |
| 11 | Dimensions | 149 mm (5.87")(H) x 284 mm (11.19")(W) x 57 mm (2.24")(D) |



NOTE

- The information contained herein does not purport to cover all the details or variations of the equipment described, nor to provide for every possible contingency that may be met in connection with its installation, operation or maintenance.
- Specifications are subject to change without notice. Contact Nohmi before relying on the information.
- Actual performance is based on proper application of the product by a qualified professional.
- Should further information be required or should particular concerns arise that are not covered sufficiently for the purchaser's purposes, the matter should be referred to Nohmi or your nearest distributor.



• Head Office: 4-7-3 Kudan-Minami, Chiyoda-ku, Tokyo 102-8277, Japan

• Phone: (81)3-3265-0231

• F A X: (81)3-3265-5348

URL <http://www.nohmi.co.jp/english/>

Contact