

# MANUAL FIRE ALARM BOX

## FMMN, FMRN & FMBN SERIES

### FEATURES

- Cutting-edge compact design
- Push-button-type manual fire alarm box
- Easy reset after operation
- Addressable and conventional types available
- Telecommunication means provided (except FMMN202-U)
- Response lamp provided (except FMMN202-U)

### DESCRIPTION

NOHMI's FMMN, FMRN & FMBN series manual fire alarm box was designed based on a new concept considering functionality, accessibility, and usability, and won the Japan Good Design Gold Award 2014 together with the ring-shaped location lamp.

The fire alarm box is 40mm smaller in diameter than the previous model to match the ring-shaped location lamp. The fire alarm box can be installed without any mounting plate, or can be installed with a surface or recess adapter in retrofit applications.

The manual fire alarm box initiates a fire alarm signal by pushing the plexi-glass, which is noticeable by its white edge. The operated plexi-glass can be restored by only lifting up the reset lever inside the jack cover.

A telephone jack is provided inside the jack cover on the fire alarm box except FMMN202-U. Inserting the plug of a telephone handset into the jack makes telecommunication ready between the fire alarm control



panel and the manual fire alarm box.

A response lamp is also provided on fire alarm box except FMMN202-U to indicate that a fire alarm signal has been received at the fire alarm control panel.

The fire alarm signal initiated from a manual fire alarm box can be utilized to start the hydrant pump with a NOHMI's FYH series hydrant pump starting relay box incorporated.

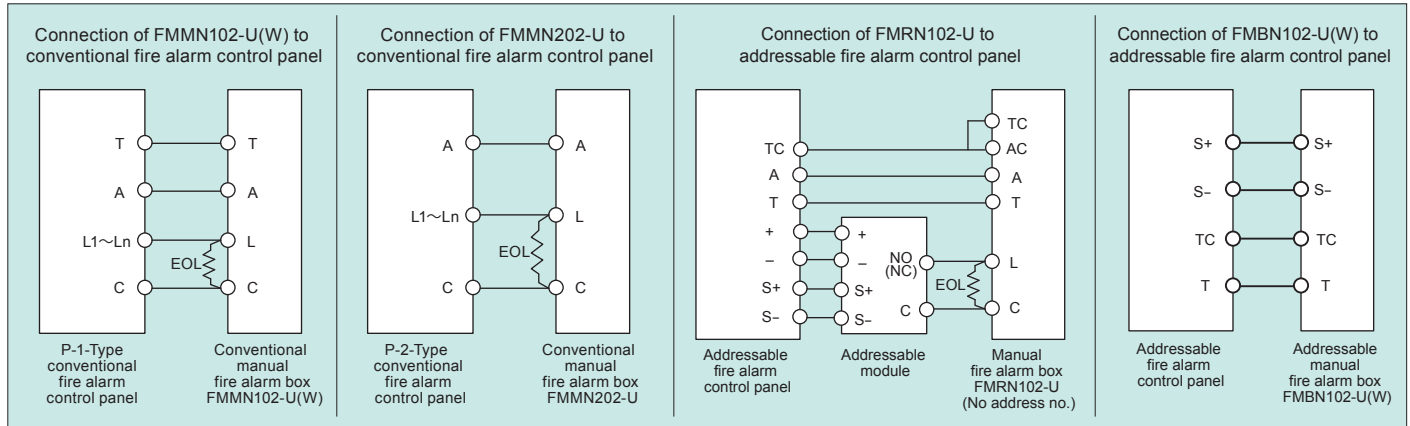
### SPECIFICATIONS

MODEL NO.	FMMN102-U	FMMN102-UW	FMMN202-U	FMRN102-U	FMBN102-U	FMBN102-UW
SYSTEM TYPE	Conventional	Conventional	Conventional	Addressable (No address no.)	Addressable	Addressable
USE SPECIFICATIONS	Indoor	Outdoor	Indoor	Indoor	Indoor	Outdoor
TELEPHONE JACK	Yes	Yes	No	Yes	Yes	Yes
RESPONSE LAMP	Yes	Yes	No	Yes	Yes	Yes
CIRCUIT VOLTAGE	30VDC, 500mA				S+ S- : 24VDC, 200mA	
MONITORING CURRENT	N/A				Approx. 0.25mA	
MATERIALS	Polycarbonate resins (Self-extinguishing)					
COLOR	Red (equivalent to Munsell 5R4/14)					
WEIGHT	Approx. 130g	Approx. 137g	Approx. 130g	Approx. 145g	Approx. 135g	Approx. 142g

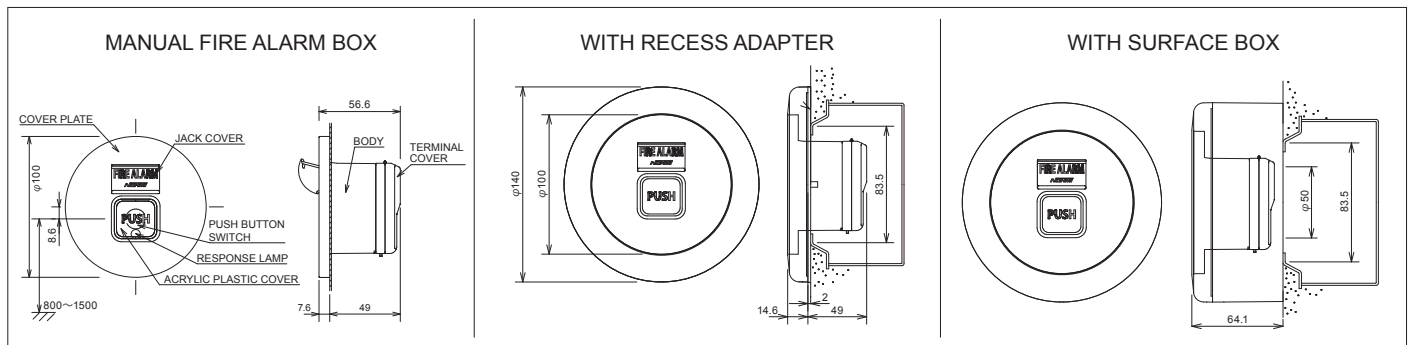
- Accessories: Model no. ZBMJ002-U (Recess mounting adapter plate)  
Model no. ZBMJ002-UW (Recess mounting adapter plate, outdoor use)  
Model no. ZBMJ002-R (Surface mounting box)

## NOHMI BOSAI LTD.

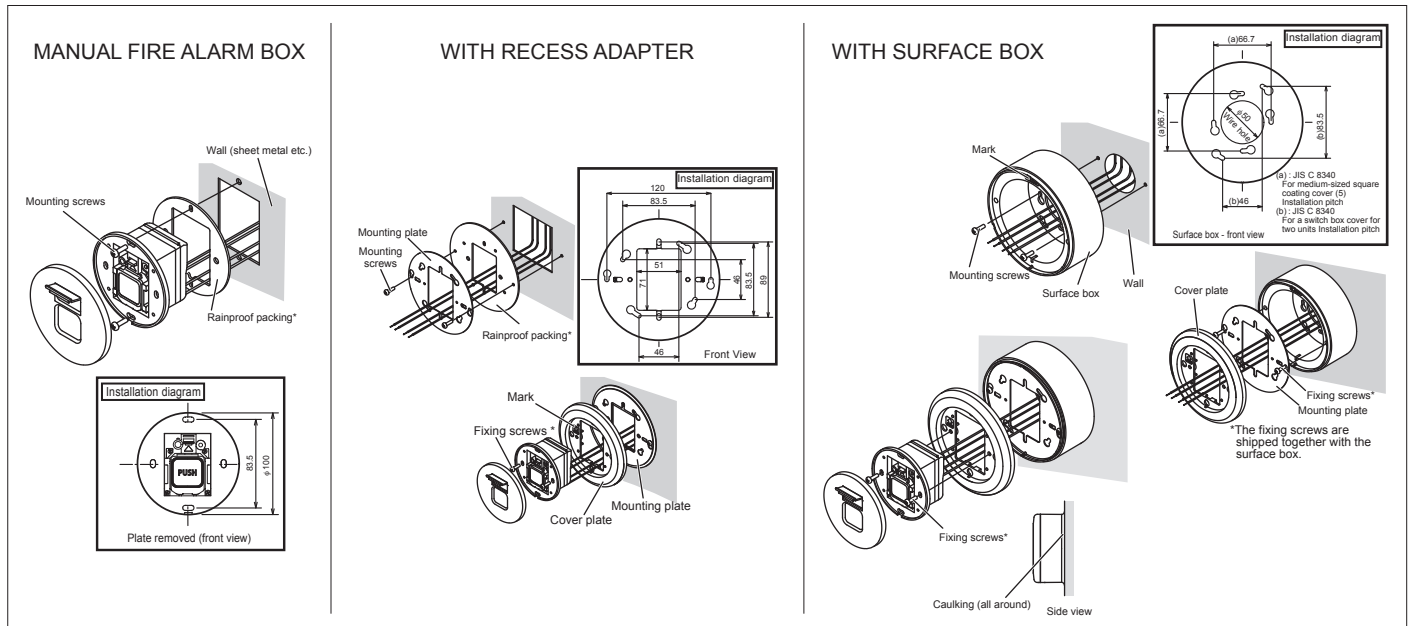
## TYPICAL WIRING DIAGRAM



## DIMENSIONS



## INSTALLATION



- These instructions do not purport to cover all the details or variations in the equipment described, nor provide for every possible contingency to be met in connection with installation, operation, and maintenance.
- Specifications are subject to change without notice. Contact NOHMI before relying on the above specifications.
- Actual performance is based on proper application of the product by a qualified professional.
- Should further information be desired or should particular problems arise, which are not covered sufficiently for the purchaser's purposes, the matter should be referred to NOHMI or a distributor in your region.

**NOHMI**  
NOHMI BOSAI LTD.

● HEAD OFFICE: 7-3, Kudan Minami 4-chome,  
Chiyoda-ku, Tokyo 102-8277, Japan

● PHONE: (81) 3-3265-0231

● F A X: (81) 3-3265-5348

● U R L: <https://www.nohmi.co.jp/english/>

180810 ©F-20001Y01