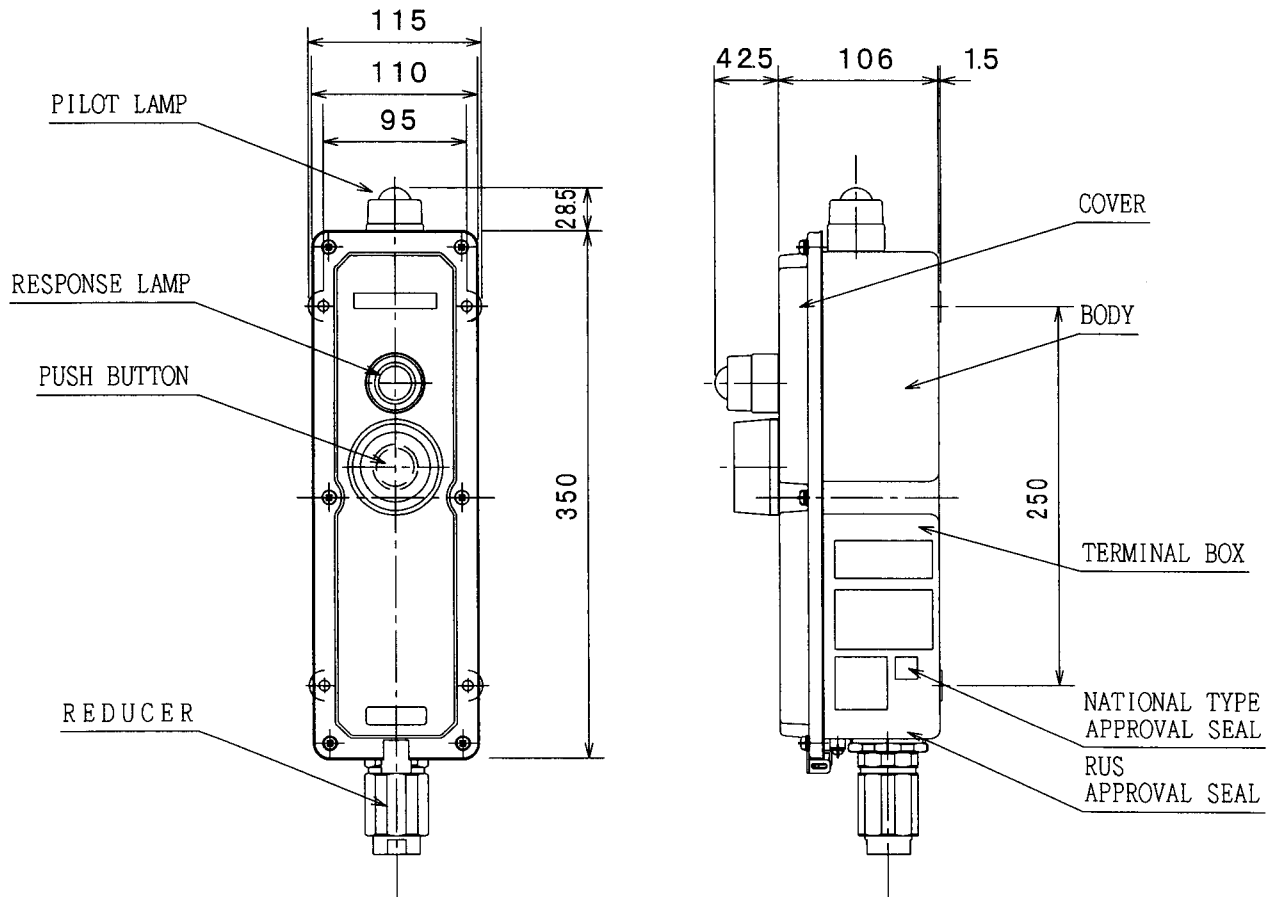


SPECIFICATIONS

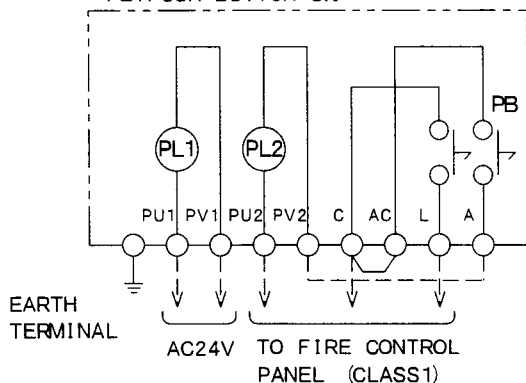
- (1) CLASSIFICATION: P-TYPE CLASS2 MANUAL ALARM BOX, OUTDOOR TYPE
(APPLICABLE TO BOTH INDOOR & OUTDOOR USES)
- WALL MOUNTING TYPE, FLAME-PROOF & EXPLOSION-PROOF TYPE
- (2) NATIONAL TYPE APPROVAL NO: HATSU 16~4
- (3) APPROVAL NO OF RESEARCH INSTITUTE OF INDUSTRIAL SAFETY: TC16792
- (4) EXPLOSION CLASS AND IGNITION GRADE: ExdeIICT6
- (5) RATED VOLTAGE CURRENT: DC24V, 300mA
- (6) PILOT LAMP & RESPONSE LAMP: RED LED
- (7) TERMINALS: 4P×2
- (8) MAIN MATERIAL: STAINLESS STEEL PLATE
- (9) FINISH: RED SPRAY COATING (MUNSELL 5R 4/13)
- (10) AMBIENT TEMPERATURE: -20°C TO 40°C
- (11) WEIGHT: APPROX 3Kg



GKFO4461

CIRCUIT DIAGRAM

PL1: PILOT LAMP
 PL2: RESPONSE LAMP
 PB: PUSH BUTTON SW



MODEL FMEJ201-RG		
MANUAL FIRE ALARM BOX		
(FLAME-PROOF & EXPLOSION-PROOF TYPE)		
UNIT : mm	DESIGNED BY	TRACED BY
SCALE: /		<i>S. sagae</i>
DATE : FEB. 20. '08	CHECKED BY <i>K. Suzuki</i>	APPROVED BY <i>K. Tabahashi</i>
DWGNQ	FMEJ6141e 1	NQ
NOHMI BOSAI LTD.		