

FRRJ001-Y-4F

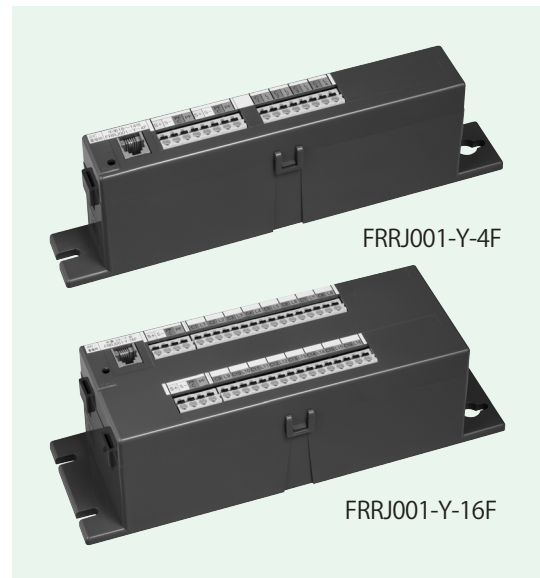
FRRJ001-Y-16F

ADDRESSABLE MODULE FOR INITIATING DEVICES

4-ADDRESS TYPE & 16-ADDRESS TYPE

Features

- 4 & 16 consecutive addresses per unit
- NFPA Class A (Styles 6 & 7) and Class B (Style 4) for SLC
- NFPA Class B (Style B) for IDC
- Electronic address setting
- Slim unit
- Easy installation



Description

The Addressable Module for Initiating Devices 4-address type and 16-address type are used to supervise the status of conventional initiating devices connected on each initiating device circuit (IDC). 4 consecutive addresses can be configured to FRRJ001-Y-4F per unit, and 16 consecutive addresses can be configured to FRRJ001-Y-16F per unit. The FRRJ001-Y-4F and FRRJ001-Y-16F detect alarm conditions and report to the Fire Alarm Control Panel (FACP). The IDC wiring style is applicable to the NFPA Class B (Style B). When the FRRJ001-Y-4F or the FRRJ001-Y-16F detects an alarm, the module is latched until the system is reset.

The FRRJ001-Y-4F and the FRRJ001-Y-16F are slim units, and they can be installed easily.

Ordering Information

Model no. FRRJ001-Y-4F
Model no. FRRJ001-Y-16F

Specifications

No.	Item	Specification
1	Rated voltage of SLC input power (S+,S-)	24.0V
2	Maximum current consumption of SLC (S+,S-)	250μA
3	Applicable SLC wiring style	NFPA Style 4, 6, and 7
4	Operating voltage of external power supply line (PF, PFC)	24.0V
5	Rated output voltage of IDC (C, L)	24.0V
6	Maximum module standby current of IDC 24VDC (C, L)	FRRJ001-Y-4F: 1.50mA , FRRJ001-Y-16F: 6.40mA
7	Maximum detector standby current of IDC 24VDC (C, L)	1.35mA
8	Maximum module and detector alarm current of IDC 24VDC (C, L)	30mA
9	Applicable IDC wiring style	NFPA Style B (i.e. Class B)
10	Number of address per unit	FRRJ001-Y-4F: 4 addresses FRRJ001-Y-16F: 16 addresses
11	Maximum wiring resistance of IDC (C, L)	50Ω
12	Maximum wiring capacitance of IDC (C, L)	1μF
13	End-of-line device for IDC (C, L)	Model no. FZE016A
14	Operating temperature range	-10°C to 50°C (14°F to 122°F)
15	Operating relative humidity range	20 to 85% (non-condensing)
16	Dimensions	FRRJ001-Y-4F: 68mm (2.68 inches)(H)×232mm (9.13 inches) (W)×34mm (1.34 inches) (D) FRRJ001-Y-16F: : 68mm (2.68 inches)(H)×232mm (9.13 inches) (W)×74mm (2.91 inches) (D)

Setting the Address

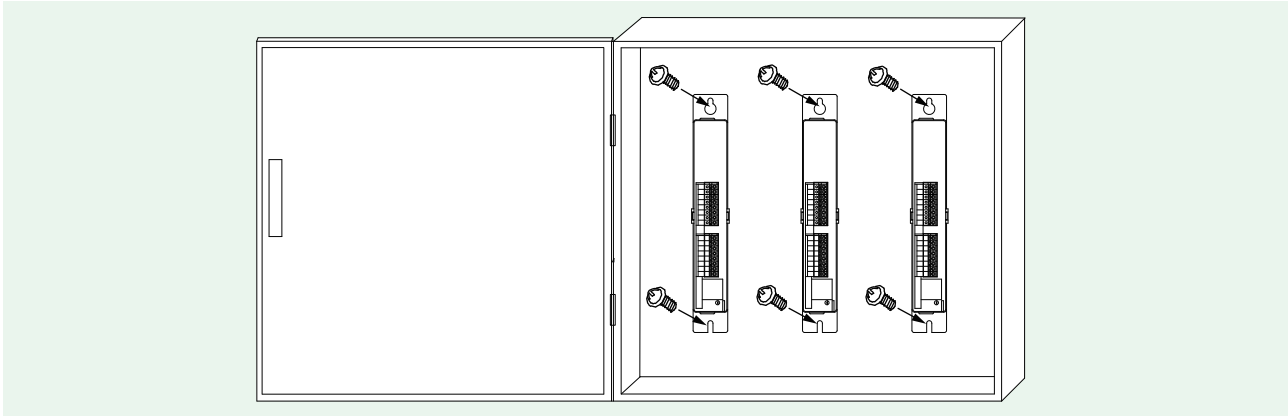
Each addressable module, smoke detector, heat detector and combination detector must have the address set before connecting the device to the Signaling Line Circuit (SLC) loop. The address is set using the hand-held device programmer or the addressing feature on the control panel.

Compatible Conventional Detectors

Series/Model Number	Type	Maximum connectable number
FDS01U	Ionization	20 units
FDS226 series	Ditto	30 units
FDS240 series	Ditto	30 units
FDK01U	Photoelectric	20 units
FDKL01U	Photoelectric with fixed heat	20 units
FDK226 series	Photoelectric	30 units
FDK229 series	Ditto	30 units
FDK246 series	Ditto	30 units
FDK228 series	Ditto	30 units
PSD7155D	Ditto (Product of Kidde-Fenwal)	20 units

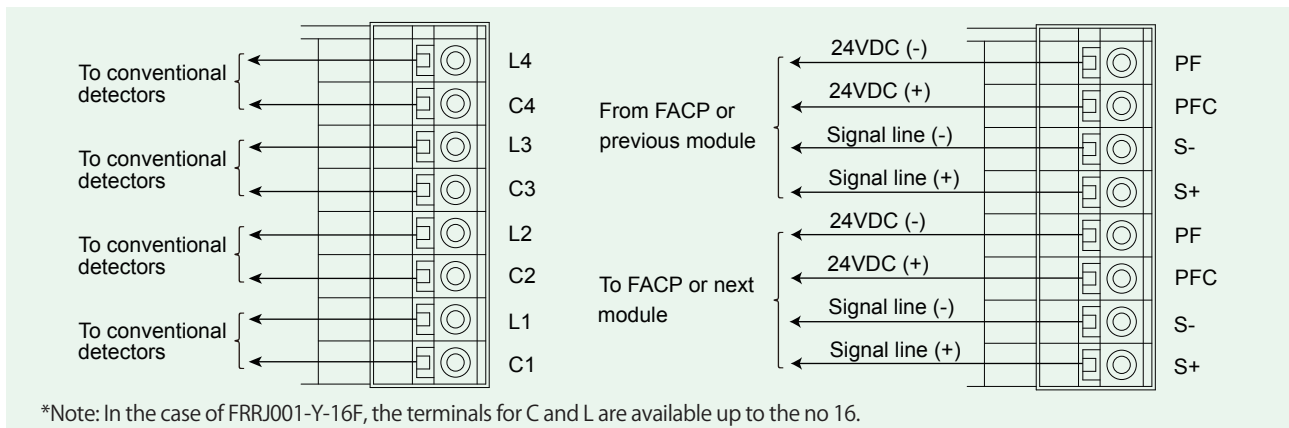
Installation

Figure 1: Installation in an electrical enclosure



Wiring Diagram

Figure 2: Wiring diagram of FRRJ001-Y-4F



NOTE

- The information contained herein does not purport to cover all the details or variations of the equipment described, nor to provide for every possible contingency that may be met in connection with its installation, operation or maintenance.
- Specifications are subject to change without notice. Contact Nohmi before relying on the information.
- Actual performance is based on proper application of the product by a qualified professional.
- Should further information be required or should particular concerns arise that are not covered sufficiently for the purchaser's purposes, the matter should be referred to Nohmi or your nearest distributor.

NOHMI
NOHMI BOSAI LTD.

• Head Office: 4-7-3 Kudan-Minami, Chiyoda-ku, Tokyo
102-8277, Japan

• Phone: (81)3-3265-0231

• F A X: (81)3-3265-5348

URL <http://www.nohmi.co.jp/english/>

Contact