

CAT. NO. **D-F-18504**

FWLN SERIES

COMBINATION BOX

Features

- Three-in-one (location lamp, manual fire alarm box, and fire alarm bell)
- Cutting-edge new design
- Addressable type available
- Surface and recess mountings available
- Easy installation

Description

The combination box consists of a location lamp, a manual fire alarm box, and a fire alarm bell, designed based on a new concept considering functionality, accessibility, and usability.

The ring-shaped location lamp is positioned around the manual alarm box so that the exact location of the manual alarm box can be found even in dark places. Thanks to the new design concept of the ring-shaped location lamp with the manual alarm box, which won the Japan Good Design Gold Award 2014, the surface depth is only 15mm in recess mounting and 75mm in surface mounting.

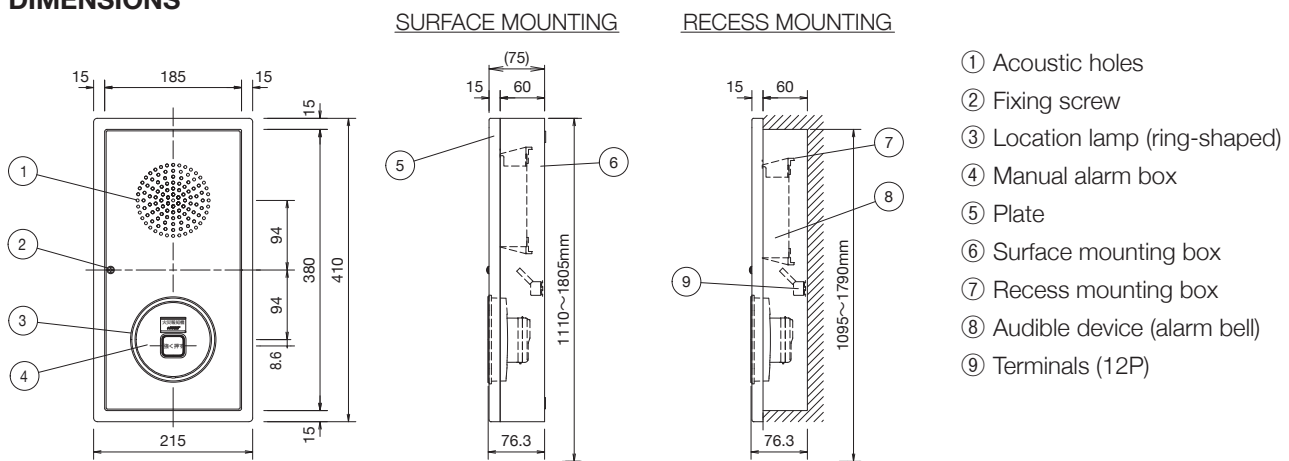
The physical structure of this well-designed three-in-one product makes the wiring very easy when installed.



Specifications

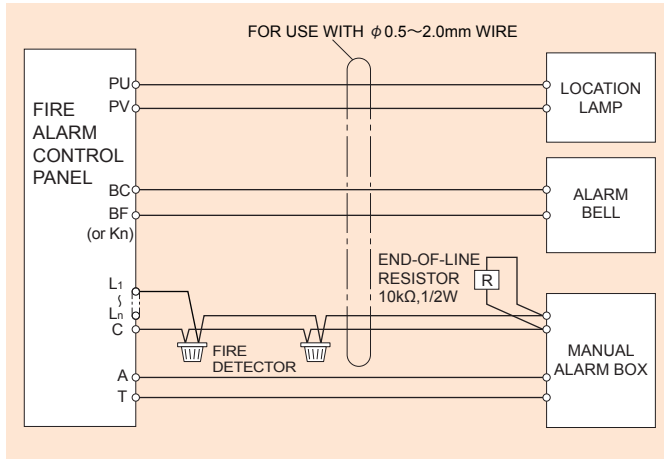
MODEL NO.	Surface mounting	FWLN007A-R-P1	FWLN007A-R-P1W	FWLN007A-R-P1DW	FWLN007A-R-AD	FWLN007A-R-ADW
	Recess mounting	FWLN007A-U-P1	FWLN007A-U-P1W	FWLN007A-U-P1DW	FWLN007A-U-AD	FWLN007A-U-ADW
MODEL NO. OF PLATE		ZBPN007A-P1	ZBPN007A-P1W	ZBPN007A-P1DW	ZBPN007A-AD	ZBPN007A-ADW
MODEL NO. OF BOX	Surface mounting	ZBRJ003A-T				
	Recess mounting	ZBCJ006-T				
USE SPECIFICATIONS		Conventional Indoor use	Conventional Rain proof		Addressable Indoor	Addressable Rain proof
AMBIENT TEMPERATURE		-10° C to +40° C				
SOUND LEVEL		90dB or more (at 1m)				
MAIN MATERIALS OF PLATE AND BOX		1.2mm steel sheet for plate and surface mounting box 1.6mm steel sheet for recess mounting box				
FINISH		Baking finish for plate and surface mounting box, color equivalent to Munsell N8.7, semi-gloss Black paint for recess mounting box				
CONTAINED	MANUAL ALARM	FMMN102-U	FMMN102-UW		FMBN102-U	FMBN102-UW
	LAMP	FLPJ004	FLPJ004-W		FLPJ004	FLPJ004-W
	BELL	FBMJ001			FBMJ001-D	

DIMENSIONS

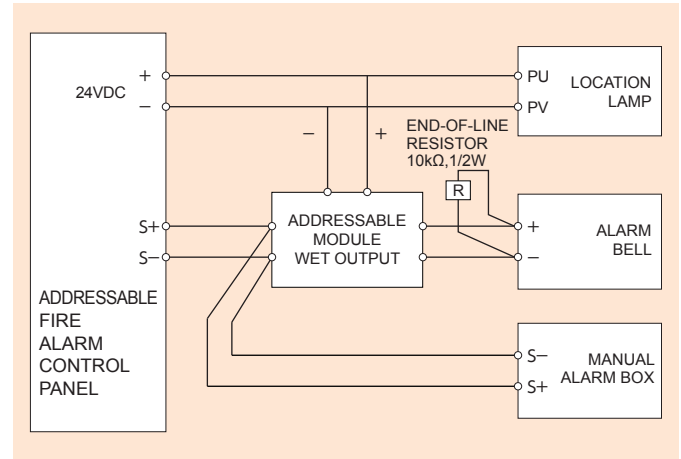


Typical Wiring Diagram

CONVENTIONAL SYSTEM



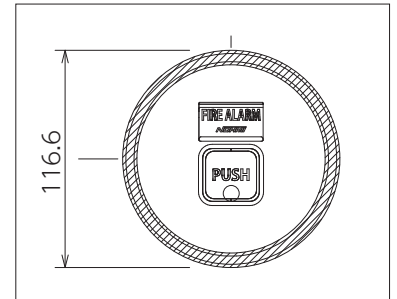
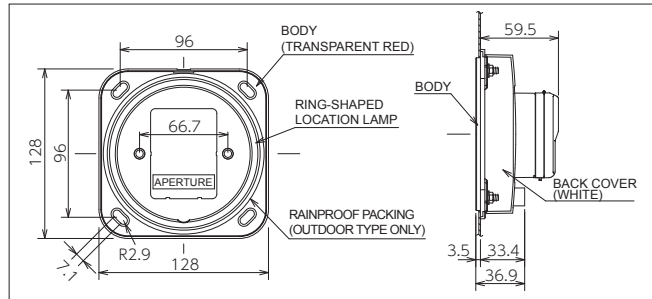
ADDRESSABLE SYSTEM



LOCATION LAMP FLPJ SERIES



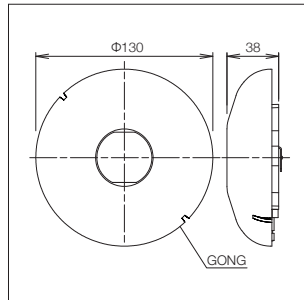
DIMENSIONS



FIRE ALARM BELL FBMJ SERIES



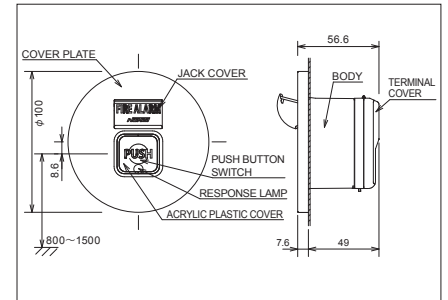
DIMENSIONS



MANUAL FIRE ALARM BOX FMMN / FMBN SERIES



DIMENSIONS



NOTE

- The information contained herein does not purport to cover all the details or variations of the equipment described, nor to provide for every possible contingency that may be met in connection with its installation, operation or maintenance.
- Specifications are subject to change without notice. Contact Nohmi before relying on the information.
- Actual performance is based on proper application of the product by a qualified professional.
- Should further information be required or should particular concerns arise that are not covered sufficiently for the purchaser's purposes, the matter should be referred to Nohmi or your nearest distributor.

NOHMI
NOHMI BOSAI LTD.

• Head Office: 4-7-3 Kudan-Minami, Chiyoda-ku, Tokyo
102-8277, Japan

• Phone: (81)3-3265-0231

• F A X: (81)3-3265-5348

URL <https://www.nohmi.co.jp/english/>

Contact