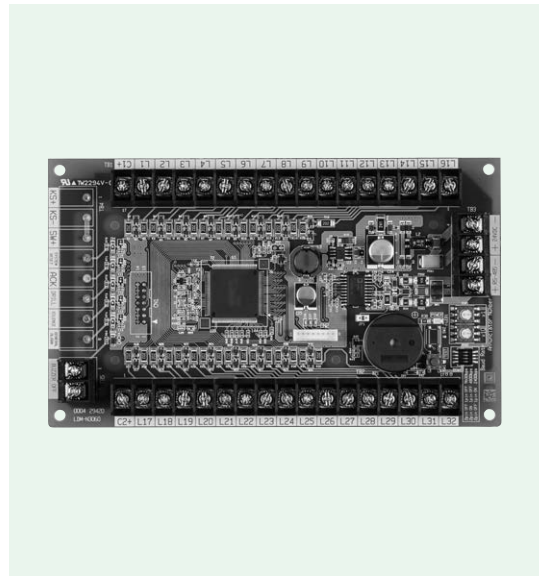


PCA-N3060-LDM

LED Driver Module

Features

- UL 864, 9th edition listed
- 32 LED driver outputs for zone status indications
- Consecutive or random zone number assignment available
- Audible alarm device (Built-in buzzer)
- Power supply status LED and signal transmission status LED
- LED driver output test
- Easy installation



Description

The PCA-N3060-LDM is a kind of remote annunciator that is equipped with 32 LED driver outputs. The PCA-N3060-LDM is designed to be used for custom-made mimic panels and any devices that require zone status outputs.

The PCA-N3060-LDM activates its LED driver outputs when any initiating device is activated in the corresponding zones to inform the remote system operator of zone statuses. Assignment of zones for the 32 LED driver outputs can be set by the PC-based Configuration Program.

The PCA-N3060-LDM activates its built-in buzzer when any LED driver output is activated. The buzzer can be silenced by shorting the TB5 (Buzzer off), so that the installer connects a typical on/off latching switch to the TB5 when installing PCA-N3060-LDM.

The LED1 on the PCA-N3060-LDM flashes while the signal transmission between the FACP and the PCA-N3060-LDM is being established.

The PCA-N3060-LDM has a test function. Pressing SW1 on PCA-N3060-LDM continuously for 5 seconds activates all the LED driver outputs for a test.

Each remote annunciator has a remote annunciator number for its identification in the system. The remote annunciator number is set by the rotary switches on PCA-N3060-LDM.

The system supports NFPA Class B (Style 4) wiring and the maximum length of 1.2 km (4000 ft) for annunciators. The panel supports a maximum of 30 remote annunciators.

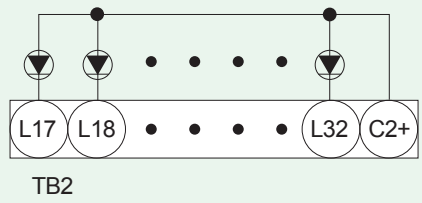
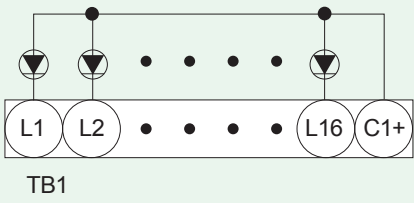
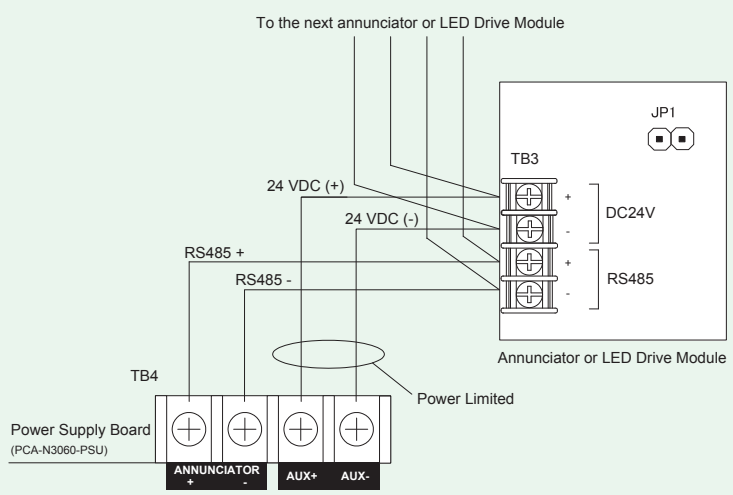
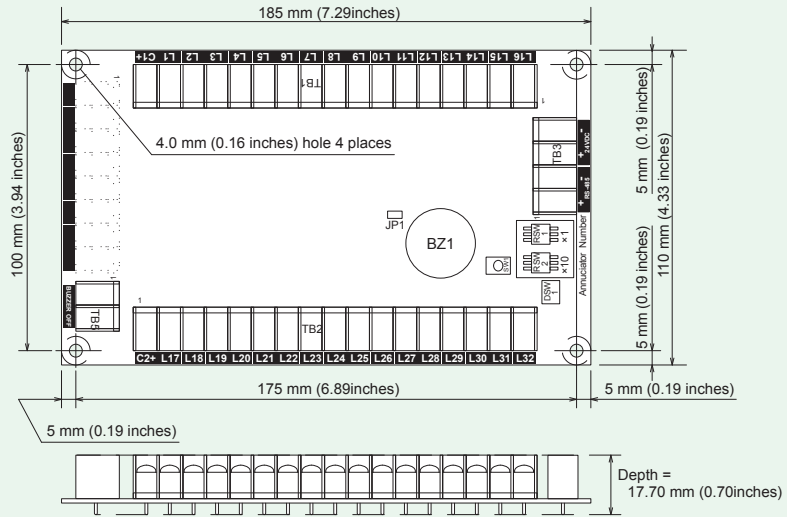
The PCA-N3060-LDM requires 24 VDC input power to operate. The 24 VDC input power can be derived from the FACP or a remote power supply. The internal power supply converts the 24 VDC input power to 3.3 volts for use of the internal circuitry.

Ordering Information

Part No. PCA-N3060-LDM

Specifications

| No. | Item | Specification |
|-----|-------------------------------------|---|
| 1 | Maximum 24 VDC current | 370 mA |
| 2 | Ambient operating temperature range | 0 to 49 °C (32 to 120 °F) |
| 3 | Maximum RA bus length | 1.2 km (4000 ft) |
| 4 | Max. RA bus wiring resistance | 40 Ω |
| 5 | Max. RA bus wiring capacitance | 0.4 μF |
| 6 | Applicable baud rates of RA-Bus | 2400, 4800, and 9600 bps |
| 7 | Annunciator bus wiring style | NFPA Class B (Style 4) |
| 8 | Maximum annunciator | 30 units |
| 9 | Annunciator connection | RS-485 |
| 10 | Dimensions | 110 mm (4.33") (H) x 185 mm (7.28") (W) x 15 mm (0.59") (D) |



NOTE

- The information contained herein does not purport to cover all the details or variations of the equipment described, nor to provide for every possible contingency that may be met in connection with its installation, operation or maintenance.
- Specifications are subject to change without notice. Contact Nohmi before relying on the information.
- Actual performance is based on proper application of the product by a qualified professional.
- Should further information be required or should particular concerns arise that are not covered sufficiently for the purchaser's purposes, the matter should be referred to Nohmi or your nearest distributor.



• Head Office: 4-7-3 Kudan-Minami, Chiyoda-ku, Tokyo 102-8277, Japan
 • Phone: (81)3-3265-0231
 • F A X: (81)3-3265-5348
 URL <https://www.nohmi.co.jp/english/>

Contact