



SELECTOR VALVE



Features

- UL Listed to UL2127.
- Compact Design
- Pneumatic Operation
- Quick and Smooth Operation
- Providing the Outlet Fitting for the Pressure Switch
- Stainless Steel Inlet Flange

Description

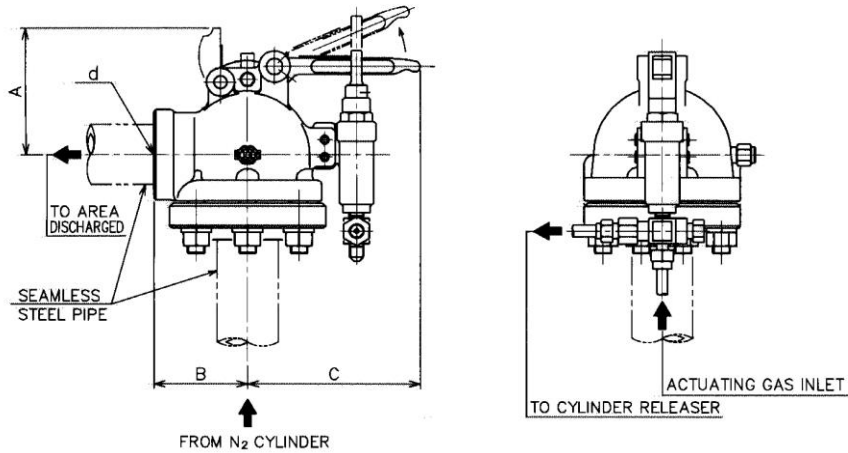
The PD series selector valve is used as a component of the NN100 Fire Extinguishing System. This valve is used for selectively directing the flow of the agent to the separate hazard space when the NN100 system is designed to individually protect multiple hazards. The actuating pressure from the CO₂ actuating cylinder or N₂ pilot cylinder automatically opens a selector valve and the extinguishing agent is discharged through the selector valve.

The inlet and outlet of the selector valve are provided with ISO 7-1 R threads for connection with the piping. As an option, the adapter for NPT thread is available .

There are four sizes of selector valves, PD25KU (25mm), PD50KU (50mm), PD80KU (80mm) and PD100KU (100mm).

Specifications

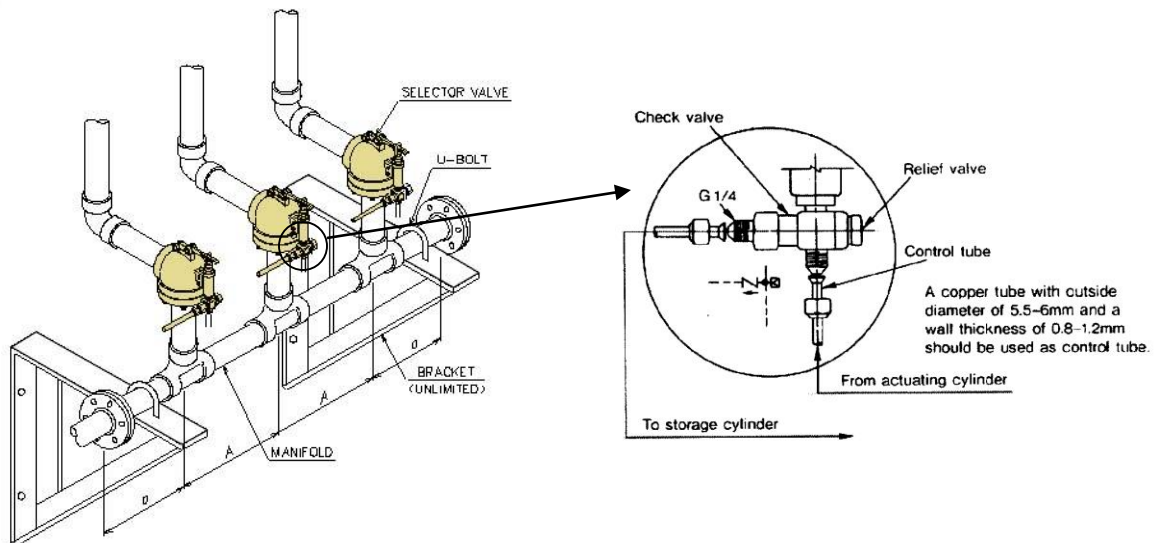
Model	PD25KU	PD50KU	PD80KU	PD100KU
Part No.	U0070	U0073	U0075	U0077
Size	25mm (1")	50mm (2")	80mm (3")	100mm (4")
Operating pressure (at 20°C)	10.0 MPa (1450 psi,68°F)			
Minimum operating pressure (at 20°C)	1.0 MPa (145 psi,68°F)			
Material	Valve-Brass, Flange-Stainless steel			
Weight	5 kg	11 kg	25 kg	46 kg



Model	Nominal Bore	Thread "D"	DIMENSION		
			A	B	C
PD25KU	25mm (1")	ISO 7-1 RC 1 ※	100mm (3.94")	60mm (2.36")	160mm (6.30")
PD50KU	50mm (2")	ISO 7-1RC 2 ※	118mm (4.65")	87mm (3.43")	160mm (6.30")
PD80KU	80mm (3")	ISO 7-1RC 3 ※	151mm (5.95")	100mm (3.94")	195mm (7.68")
PD100KU	100mm (4")	ISO 7-1RC 4 ※	211mm (8.31")	139mm (5.47")	220mm (8.66")

※ As an option, the adapter for NPT thread is available.

System Layout



- These instructions do not purport to cover all the details or variations in the equipment described, nor provide for every possible contingency to be met in connection with installation, operation and maintenance.
- Specifications are subject to change without notice. Contact Nohmi before relying on above specifications.
- Actual performance is based on proper application of the product by a qualified professional.
- Should further information be desired or should particular problems arise, which are not covered sufficiently for the purchaser's purposes, the matter should be referred to Nohmi or a distributor in your region.

NOHMI
NOHMI BOSAI LTD.

HEAD OFFICE : 7-3, Kudan-Minami 4-chome, Chiyoda-ku, Tokyo 102-8277, Japan

PHONE : (81)3-3265-0231 FAX : (81)3-3265-5348

URL <http://www.nohmi.co.jp/eigo2/>

Contact