



## DISCHARGE NOZZLE



### Features

- UL Listed to UL2127.
- Large Area Capability
- 360° Discharge Pattern
- 1 and 1 1/4 Inch Sizes
- Chromium Plated, Forged Brass Nozzle
- Simple and Attractive Design

### Description

The PNU series discharge nozzle is used as a component of the NN100 Fire Extinguishing System. There are two sizes of nozzles, 25PNU (25mm) and 32PNU (32mm). Each nozzle has a deflector which causes the diffused agent from the orifice to be directed in the horizontal direction and discharged in the specified pattern.

The nozzle is made of Brass and has the orifice code specified by the flow calculation program. The inlet is provided with ISO 7-1 R female threads for connection with the piping. The adapter is available as an option when the piping connection is NPT thread.

The nozzle has a large area capability. The design factors including maximum area coverage, maximum height limitations and nozzle location in the protected area shall be determined in accordance with the NN100 Design Manual.

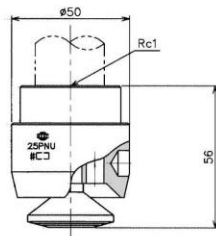
Two types of nozzle installation are available. The nozzle can be either flush mounted at the ceiling surface or surface mounted just below the ceiling. For their simple design and attractive chromate plated finish, these nozzles are best suited for installation in computer rooms, libraries, electric rooms etc.

### Specifications

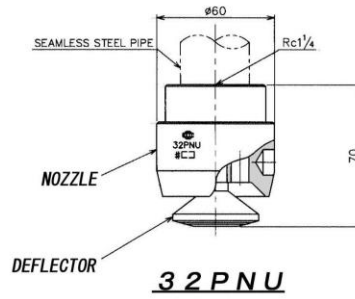
Model	25PNU	32PNU
Part No.	U3301	U3401
Size	1"	1 1/4"
Inlet connection ※	ISO 7-1 RC 1	ISO 7-1 RC 1 1/4
Material	Brass, Chromium plated	
Weight	0.6 kg	0.8 kg

※ As an option, the adapter for NPT thread is available .

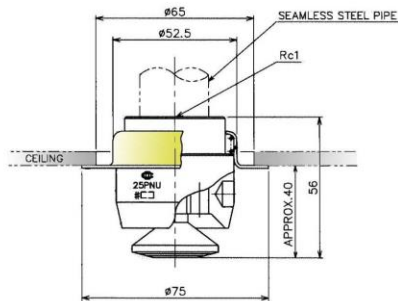
# Dimensions



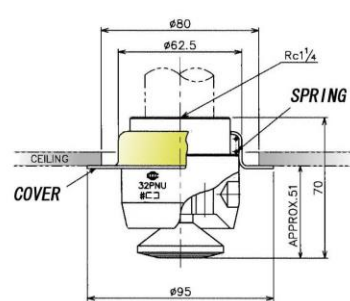
**25 PNU**



**32 PNU**



*Flush Mounted at the Ceiling*



*Flush Mounted at the Ceiling*

# Application



**Computer rooms**



**Electric rooms**



**Libraries**

- These instructions do not purport to cover all the details or variations in the equipment described, nor provide for every possible contingency to be met in connection with installation, operation and maintenance.
- Specifications are subject to change without notice. Contact Nohmi before relying on above specifications.
- Actual performance is based on proper application of the product by a qualified professional.
- Should further information be desired or should particular problems arise, which are not covered sufficiently for the purchaser's purposes, the matter should be referred to Nohmi or a distributor in your region.



HEAD OFFICE : 7-3, Kudan-Minami 4-chome, Chiyoda-ku, Tokyo 102-8277, Japan

PHONE : (81)3-3265-0231 FAX : (81)3-3265-5348

URL <http://www.nohmi.co.jp/eigo2/>

## Contact